

Settling tanks WIRO

Series

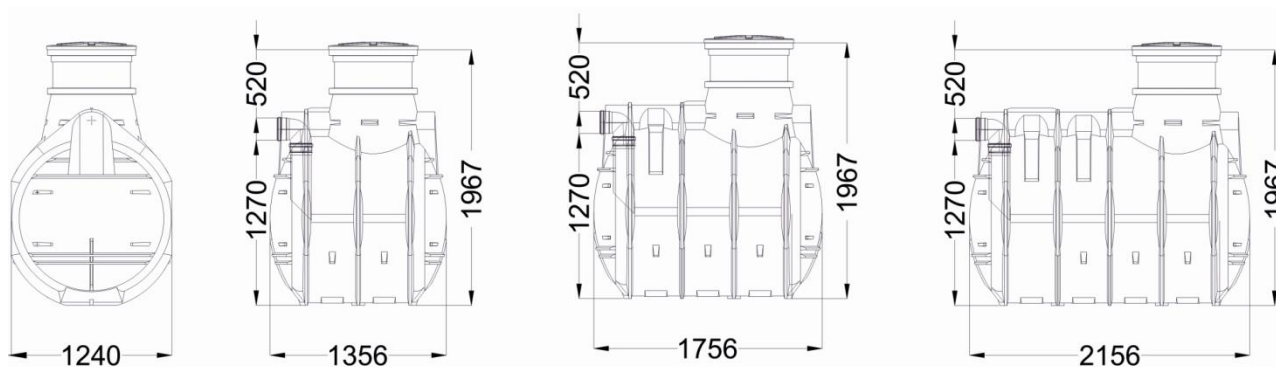


1,47m³

2,0m³

2,5m³

Basic parameters



Index	Settler capacity [m ³]	Manhole diameter [mm]	Inlet/outlet diameter [mm]	Inlet/outlet height [mm]	Width [mm]	Length [mm]
O/00142	1,47	600	160/110	1270/1240	1240	1356
O/00143	2	600	160/110	1270/1240	1240	1756
O/00144	2,5	600	160/110	1270/1240	1240	2156