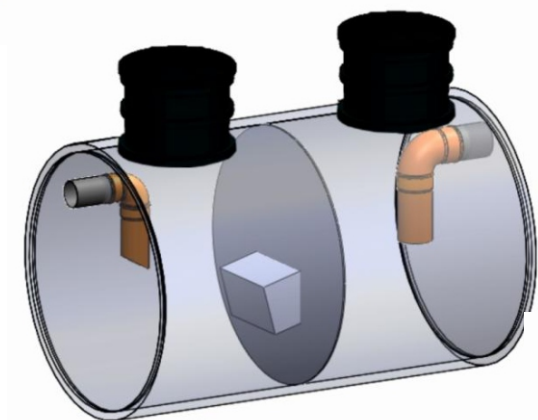
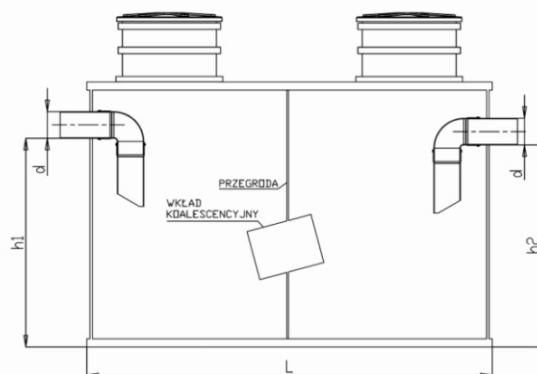
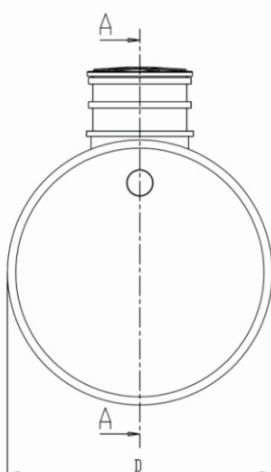


## Hydrocarbon separators with settler and coalescence insert **SKHZ**



### Basic parameters



Model	Nominal Flow [l/s]	Length L [m]	Width D [m]	Height h1/h2 [cm]	Inlet/Outlet Diameter [mm]	Manhole Diameter [mm]	Total Capacity [m <sup>3</sup> ]	Settler Capacity [m <sup>3</sup> ]
SKHZ-3	3	2	1,29	103/99	160	600/600	2	0,9
SKHZ-4	4	2	1,29	103/99	160	600/600	2	1
SKHZ-6	6	2,9	1,29	103/99	160	600/600	3	1,5
SKHZ-8	8	3,7	1,29	103/99	160	600/600	4	2
SKHZ-10	10	2,5	1,62	135/131	160	600/600	4	2
SKHZ-15	15	3	1,62	130/126	200	600/600	5	2,5
SKHZ-20	20	3,6	1,62	130/126	200	600/600	6	3
SKHZ-25	25	4,2	1,62	125/121	250	600/600	7	3,5
SKHZ-30	30	4,7	1,62	125/121	250	600/600	8	4
SKHZ-35	35	5,3	1,62	118/114	315	600/600	9	4,5
SKHZ-40	40	5,9	1,62	118/114	315	600/600	10	5
SKHZ-45	45	6,4	1,62	118/114	315	600/600	11	5,5
SKHZ-50	50	7	1,62	118/114	315	600/600	12	6
SKHZ-60	60	5,5	1,95	140/136	315	600/600	14	7
SKHZ-70	70	5,2	2,15	160/156	315	600/600	16	8
SKHZ-80	80	6,0	2,15	152/148	400	600/600	18	9
SKHZ-90	90	6,8	2,15	152/148	400	600/600	21	10,5
SKHZ-100	100	7,5	2,15	152/148	400	600/600	23	11,5

Height of extensions HN: 250 mm

Individual solutions are also possible, guaranteeing larger volumes and larger flows.

At customer's request it is possible to change the diameter of the connections.

Optional devices:

- additional extensions
- alarm systems