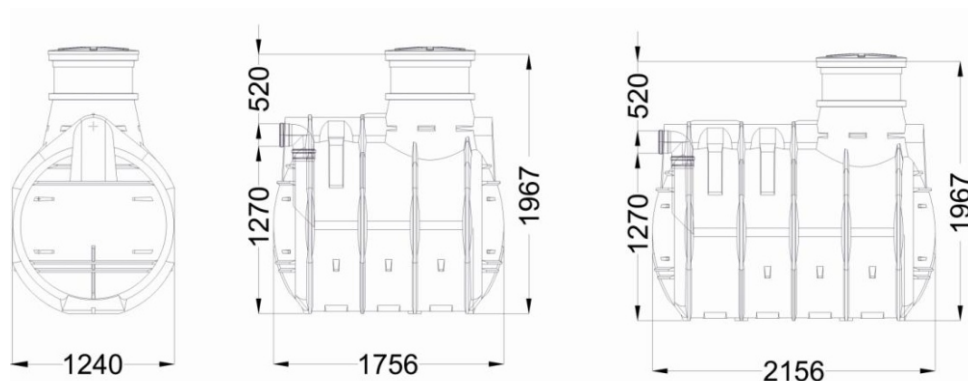


**Series**



**Basic parameters**



Index	Settler capacity [m <sup>3</sup> ]	Manhole diameter [mm]	Inlet/outlet diameter [mm]	Inlet/outlet height [mm]	Width [mm]	Length [mm]
O/00142	2	600	160/110	1270/1240	1240	1756
O/00143	2,5	600	160/110	1270/1240	1240	2156

**DRAINAGE TREATMENT PLANTS**

	WIRO TYTAN 4	WIRO TYTAN 6
Index	O/00145	O/00146
Number of users	4	6
Settler capacity	2000l	2500l
Separation well	1 pcs	1 pcs
Drainage pipe 110x2000	9 pcs	15 pcs
Geotextile 0,5m	21 m	33 m
Pipe $\phi$ 110 x 1000	6 pcs	6 pcs
Chimney pot	3 pcs	3 pcs
Sewage elbow 90° x 110	5 pcs	5 pcs