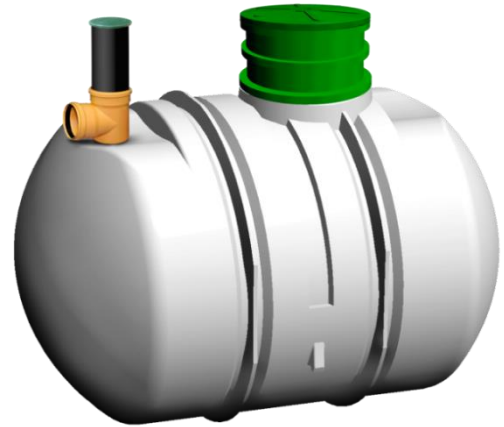


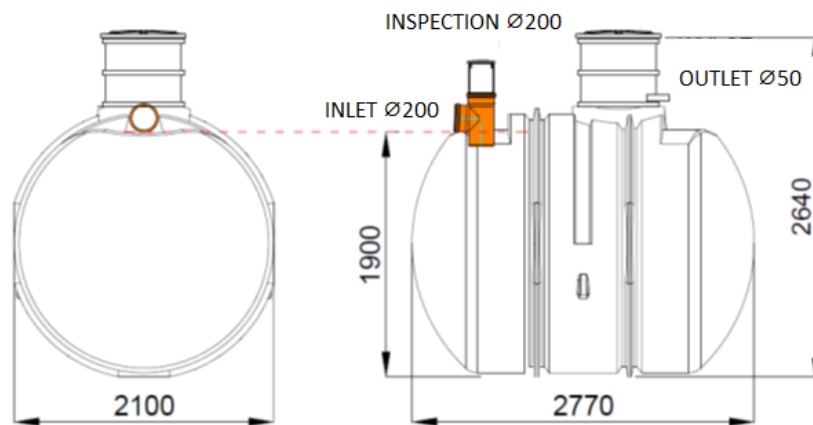
The BIO EASY FLOW home sewage treatment plant is a hybrid biological treatment plant in which the treatment processes are cyclical. Thanks to the durable construction of the tank and a properly designed oxygen treatment system, it works perfectly even in difficult water and ground conditions.

In BIO EASY FLOW sewage treatment plants, a pump is used at the outlet, which allows sewage to be discharged or managed regardless of the groundwater level and type of soil.

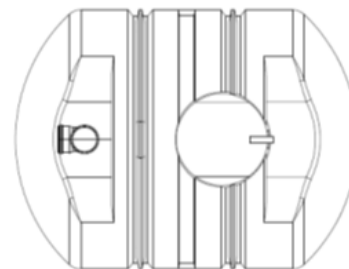
Biological treatment plant **BIO EASY FLOW 5-22**



Basic parameters



Manhole diameter: **600mm**,
Treated wastewater pump:
Pedrollo Top2 Vortex



Model	PE number	Capacity [m ³]	Nominal flow [m ³ /day]
BIO EASY FLOW 5-22	5-22	7,5	2,64