

The BIO EASY FLOW home sewage treatment plant is a hybrid biological treatment plant in which the treatment processes are cyclical. Thanks to the durable construction of the tank and a properly designed oxygen treatment system, it works perfectly even in difficult water and ground conditions.

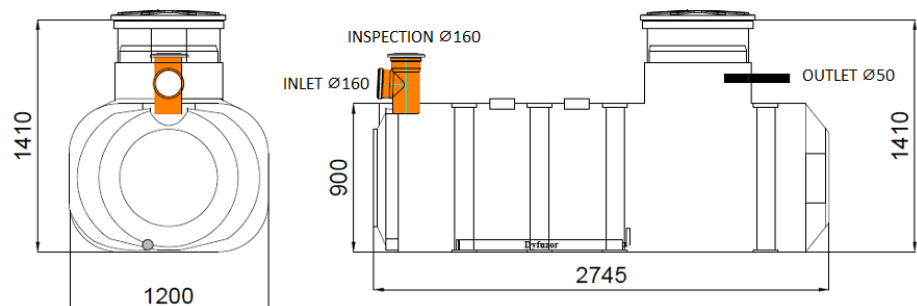
In BIO EASY FLOW sewage treatment plants, a pump is used at the outlet, which allows sewage to be discharged or managed regardless of the groundwater level and type of soil

BIO EASY FLOW 4 is a model with a reduced inlet height (for use, e.g. with high groundwater levels).

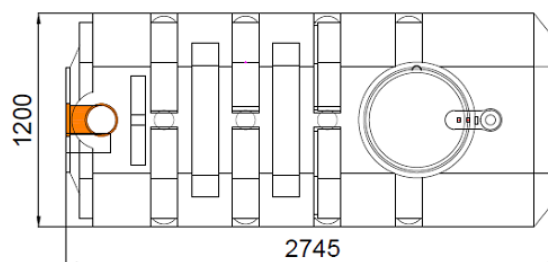
## Biological treatment plant **BIO EASY FLOW 4**



### Basic parameters



Manhole diameter: **600mm**,  
Treated wastewater pump:  
**Pedrollo Top2 Vortex**



Model	PE number	Capacity [m <sup>3</sup> ]	Nominal flow [m <sup>3</sup> /day]
BIO EASY FLOW 4	1-4	2,4	0,6