

Underground rainwater tanks

from 1470 to 20000 liters



Rainwater tanks

white and black



2400 l GARDEN



3500 l GARDEN



1470 l



2000 l



2500 l



3750 l



5250 l



6250 l



7500 l



10000 l

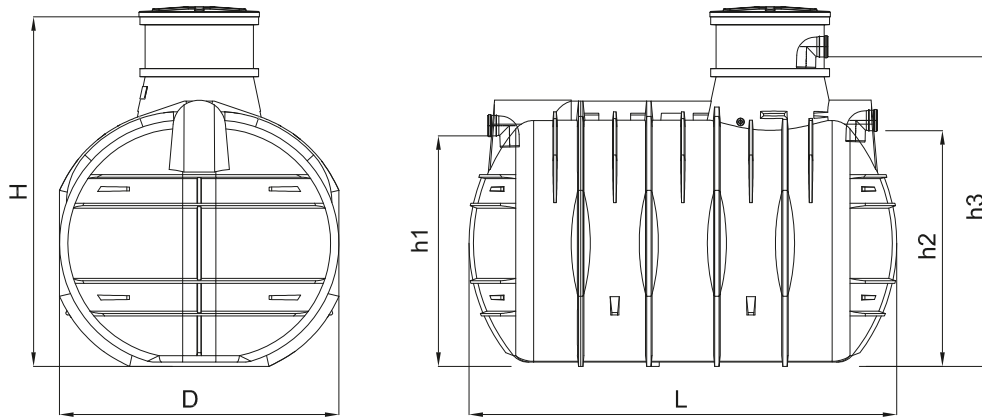


13500 l



20000 l

Basic dimensions



Rainwater tanks without filter

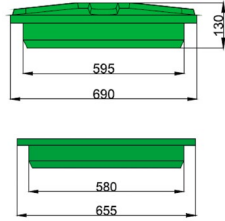
Tank capacity [l]	Inflow diameter [mm]	Inflow height [mm]	Outflow diameter [mm]	Outflow height [mm]	Total height H [mm]	Length L [mm]	Width D [mm]
1470	160	h1/1270	110	h2/1240	1960	1356	1240
2000	160	h1/1270	110	h2/1240	1960	1756	1240
2500	160	h1/1270	110	h2/1240	1960	2156	1240
3750	160	h1/1300	110	h2/1270	2000	2450	1600
5250	160	h1/1550	110	h2/1520	2250	2500	1825
6250	160	h1/1560	110	h2/1530	2280	2800	1860
7500	160	h3/2260	110	h2/1900	2640	2770	2100
10000	160	h3/2260	110	h2/1900	2640	3520	2100
13500	160	h3/2260	110	h2/1900	2640	4550	2100
20000	160	h3/2880	110	h2/2510	3380	4530	2450
2400 GARDEN	160	h3/940	110	h2/910	1410	2745	1200
3500 GARDEN	160	h3/1150	110	h2/1010	1610	3100	1220

Rainwater tanks with filter

Tank capacity [l]	Inflow diameter [mm]	Inflow height [mm]	Outflow diameter [mm]	Outflow height [mm]	Total height H [mm]	Length L [mm]	Width D [mm]
1470	110	h3/1720	110	h1/1320	1960	1356	1240
2000	110	h3/1720	110	h1/1320	1960	1756	1240
2500	110	h3/1720	110	h1/1320	1960	2156	1240
3750	110	h3/1770	110	h1/1350	2000	2450	1600
5250	110	h3/2020	110	h1/1600	2250	2500	1825
6250	110	h3/2040	110	h1/1610	2280	2800	1860
7500	110	h3/2260	110	h1/1900	2640	2770	2100

Additional accessories

Telescopic and fixed risers



BASIC cover

The standard manhole cover of a sewage treatment plant, pumping station or separator is available in green or black

PREMIUM cover

It is characterized by a modern look thanks to its flat design and increased load resistance

KAMELEON cover

Thanks to a special recess, it allows the cover to be adapted to the environment, e.g. grass, stones, bark, etc. and facilitates mowing the lawn.

TOP MULTI-TECH

Multistage submersible pump

Automatic switching on and off



Performance data

Efficiency up to 120 l / min (7.2 m³ / h)

Lifting height: 42 m

Cut-in pressure: 1.5 bar

Application

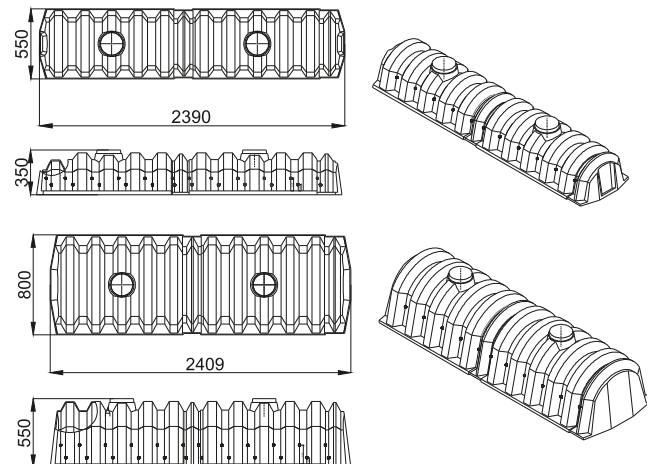
TOP MULTI-TECH pumps are recommended for pumping clean water and liquids that are not chemically aggressive to the materials of the pump.

Due to their high efficiency and reliability, they are suitable for use in applications such as the supply of water from tanks, manholes or relatively deep wells, for collecting rainwater from tanks into water gardens, or for use in irrigation systems, etc.

An internal electronic device automatically starts or stops the pump when the valve is opened or closed.

Infiltration tunnels

Tunnel drainage is ideal for draining excess rainwater on the plot. The main benefits of the use of infiltration tunnels include uncomplicated and quick assembly, the possibility of connecting modules into lines of any length, light structure and the possibility of building an underground system, thanks to which we can rationally manage the area.



Absorbent well 850 l

